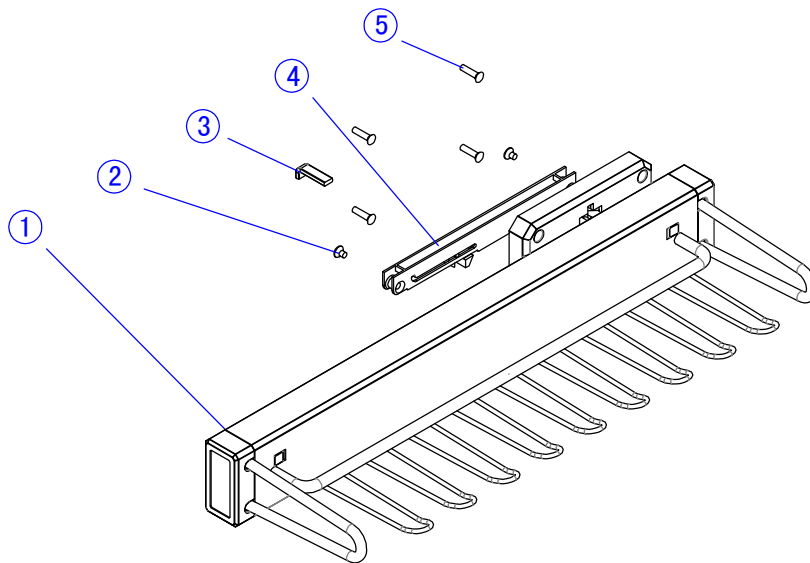


# WS4310S Installation Instruction



| NO | Components                   | Qty |
|----|------------------------------|-----|
| 1  | Tie rack                     | 1   |
| 2  | M4*14 countersunk screws     | 2   |
| 3  | Steel hook                   | 1   |
| 4  | Damper                       | 1   |
| 5  | M4*14 pan head wooden screws | 4   |

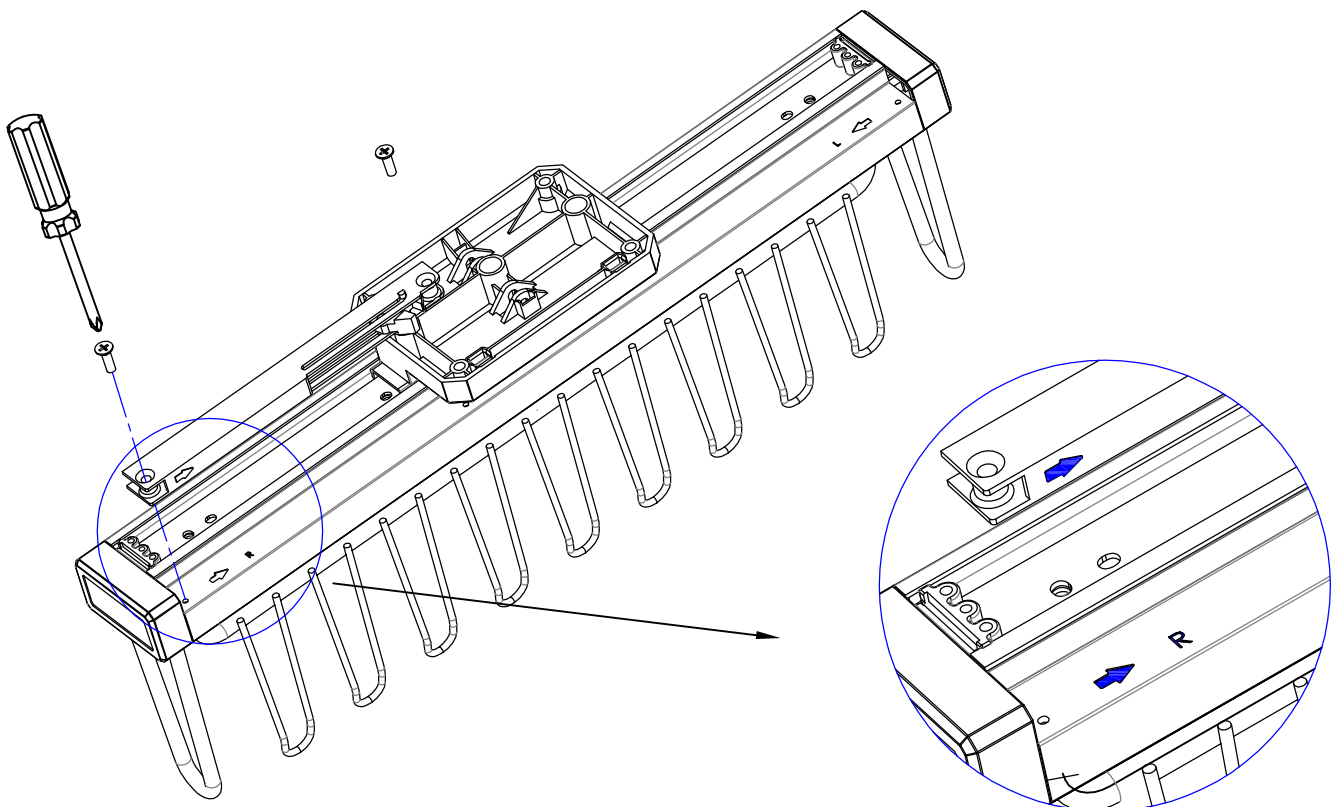
## Tie rack installation

### 1 Installation of damper

If you want to install it on the left, please fix the damper to the side mark L, and the direction of the arrow must be the same for both the damper and the tie rack.

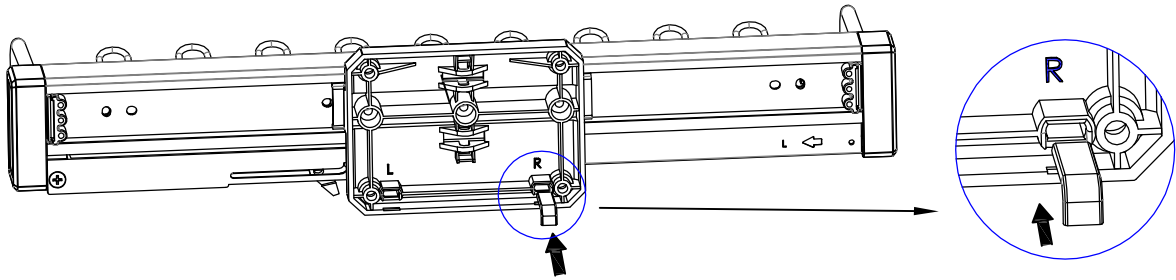
If you want to install it on the right, please fix the damper to the side mark R, and the direction of the arrow must be the same for both the damper and the tie rack.

Note: Please pay attention when tighten the screw to avoid damage on the damper.

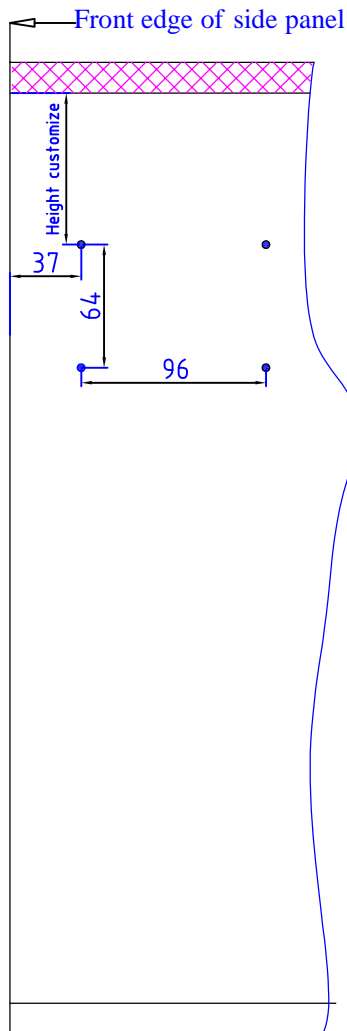
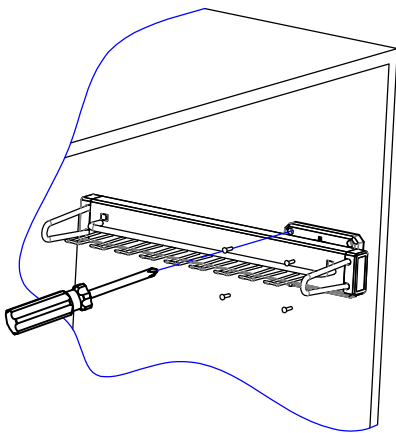


## 2 Installation of the steel hook

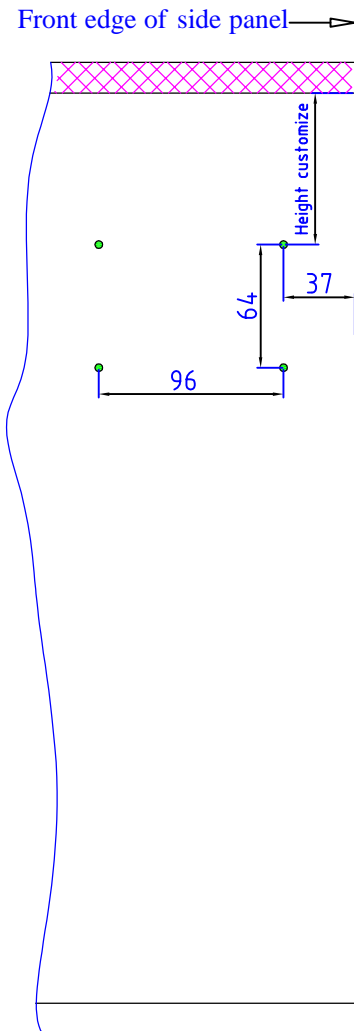
If you want to install the tie rack on the left, please fix the steel hook on the side mark L.  
If you want to install the tie rack on the right, please fix the steel hook on the side mark R.



## 3 Installing tie rack



Left installing hole position



Right installing hole position

## Notice:

1. Without soft closing? Pull-out the hanger, then pull-out the damper by hand, then close the hanger.
2. Soft closing no good? Slide no smooth? Check if some inclusion in the slide.
3. Cannot pull out the tie rack? Please assure the plastic base is around the middle position of the slide when fixing the steel hook.